

MC9090-G RFID



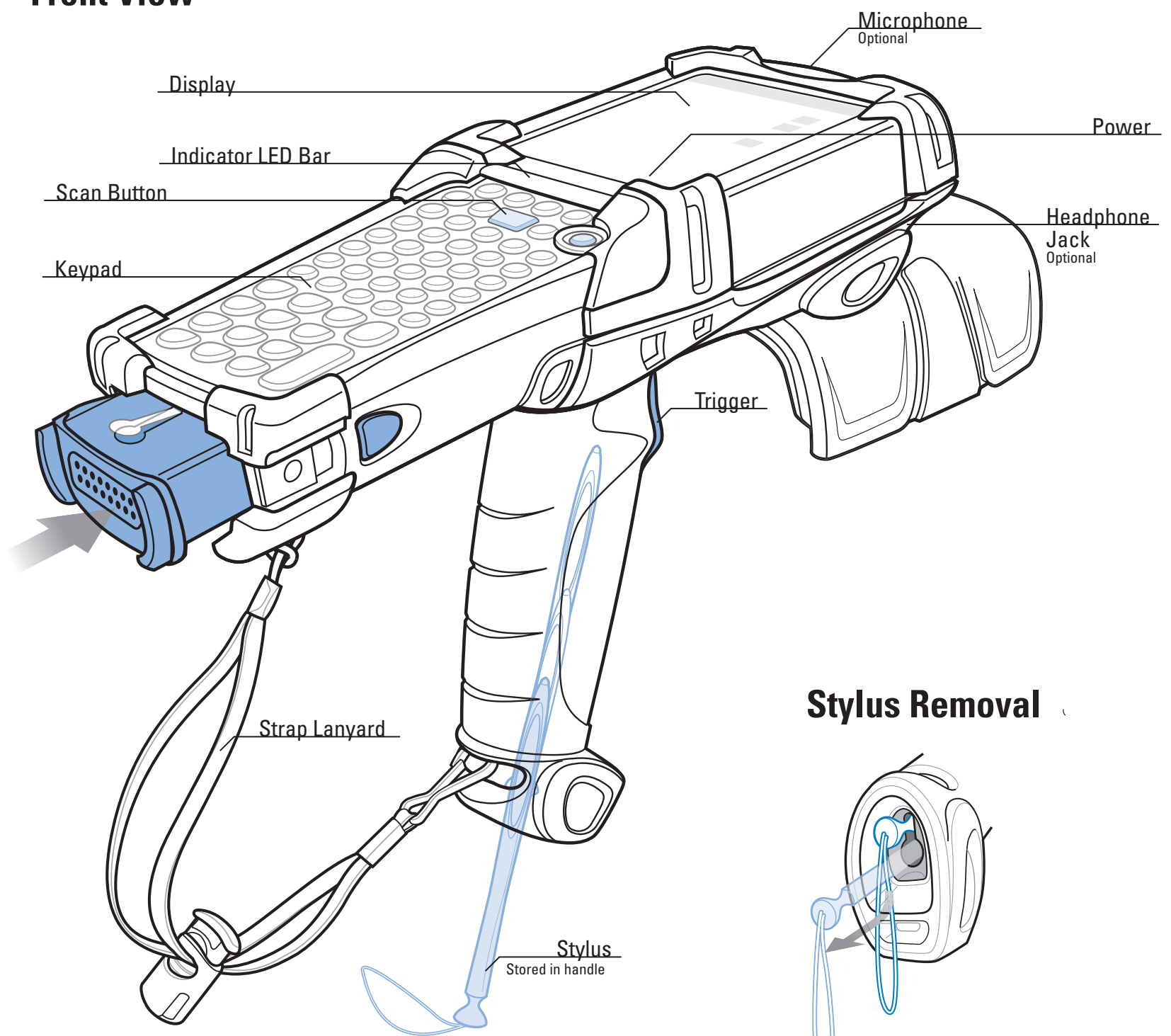
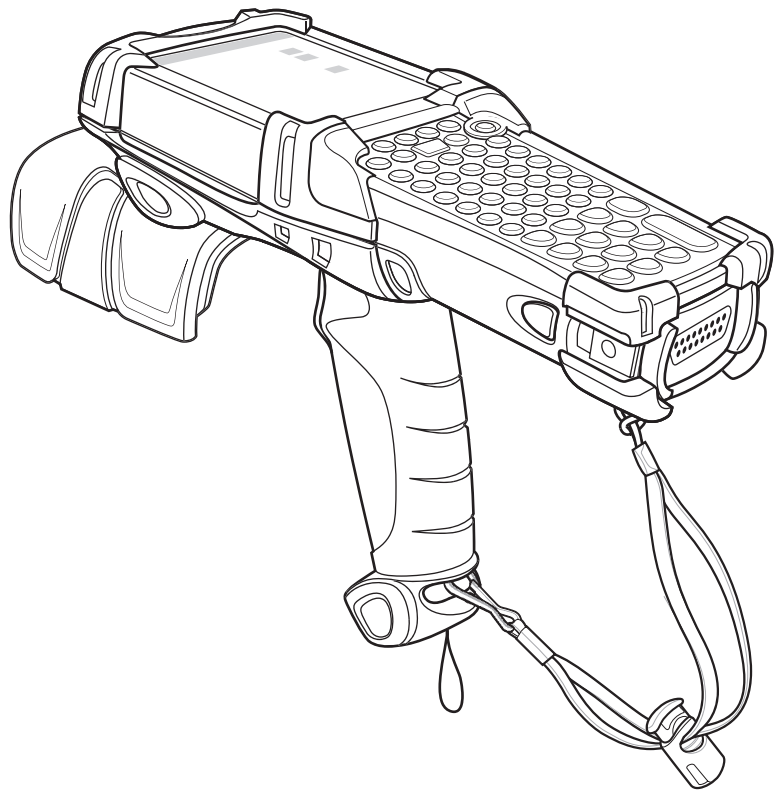
Quick Start Guide

BATTERY INSERTION

<http://www.symbol.com/rfid>

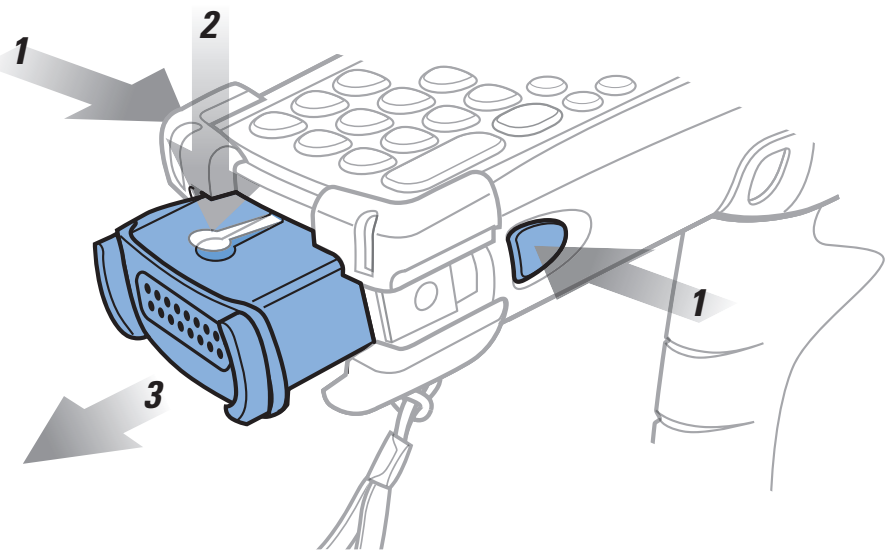
See User Guide for more information
This guide is applicable to all MC90XX-G RFID series products

Front View

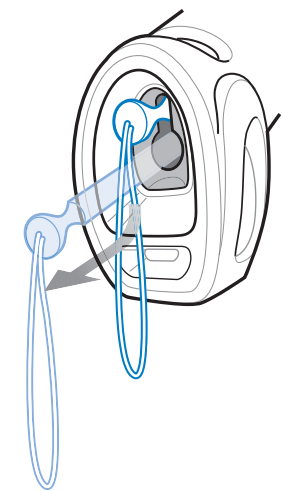


POST IN WORK AREA

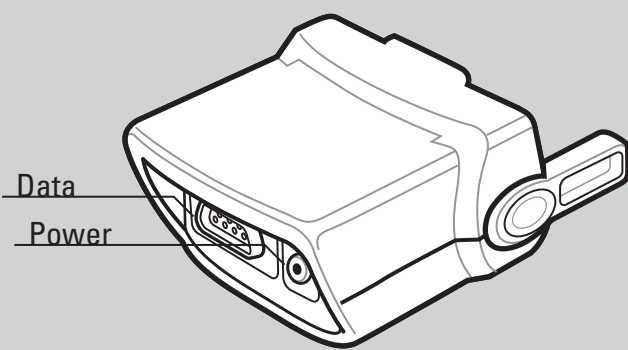
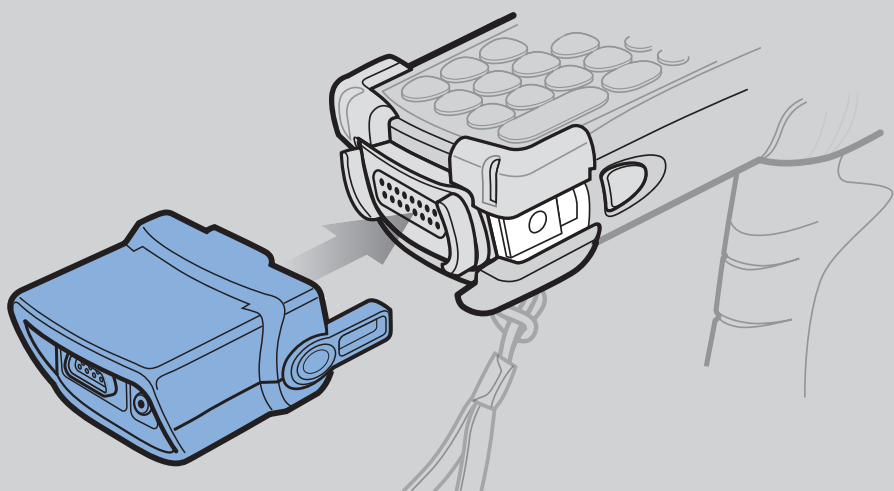
Battery Removal



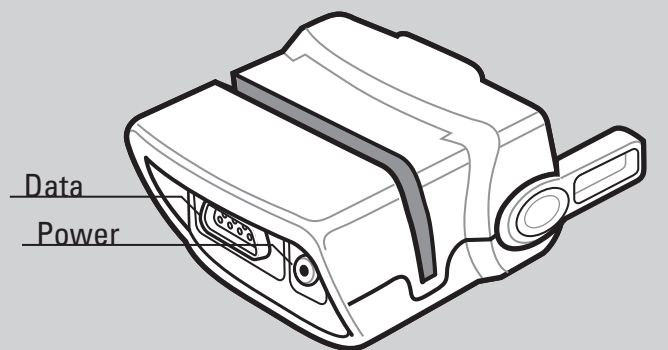
Stylus Removal



SNAP-ON ACCESSORY INSTALLATION



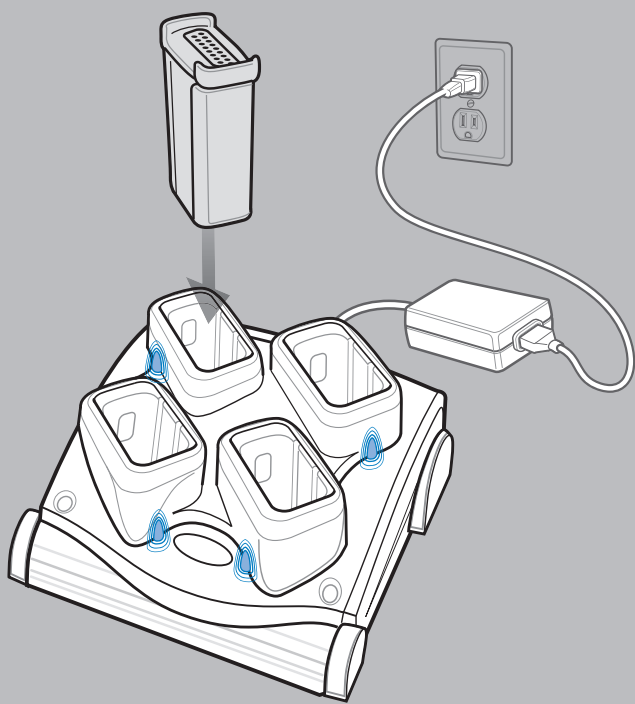
Cable Adapter Module



Magnetic Strip Reader

CHARGING INSTRUCTIONS

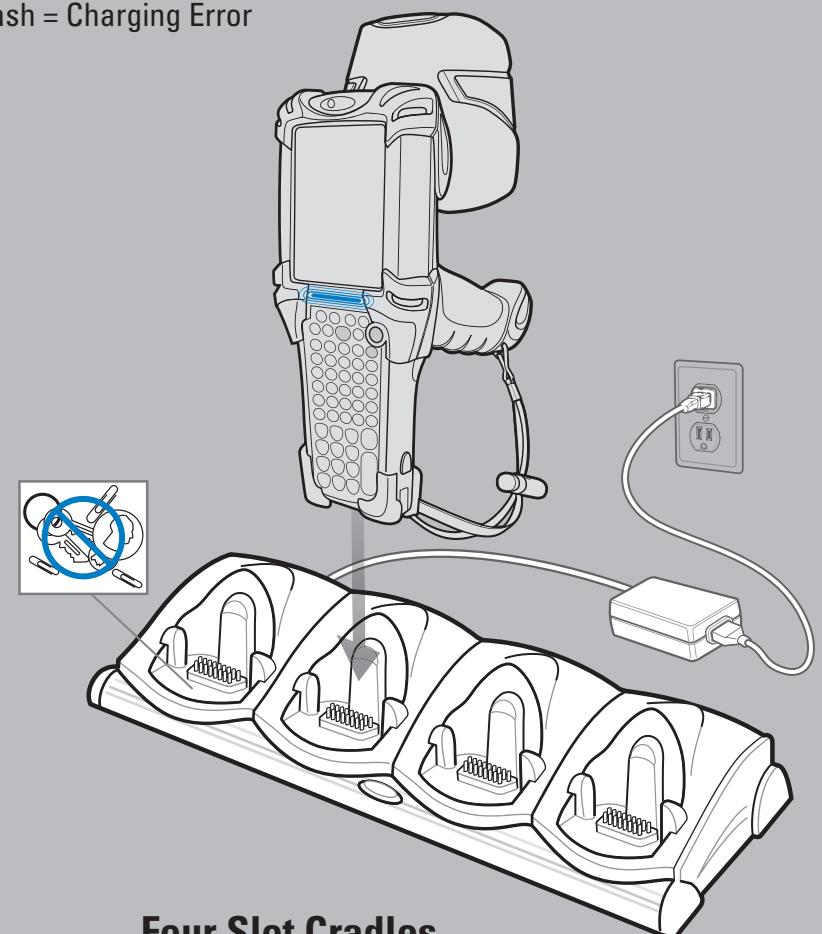
⦿ = LED Indicator Location Slow Flash = Normal Charge Solid Amber = Full Charge Fast Flash = Charging Error



Four Slot Spare Battery Charger

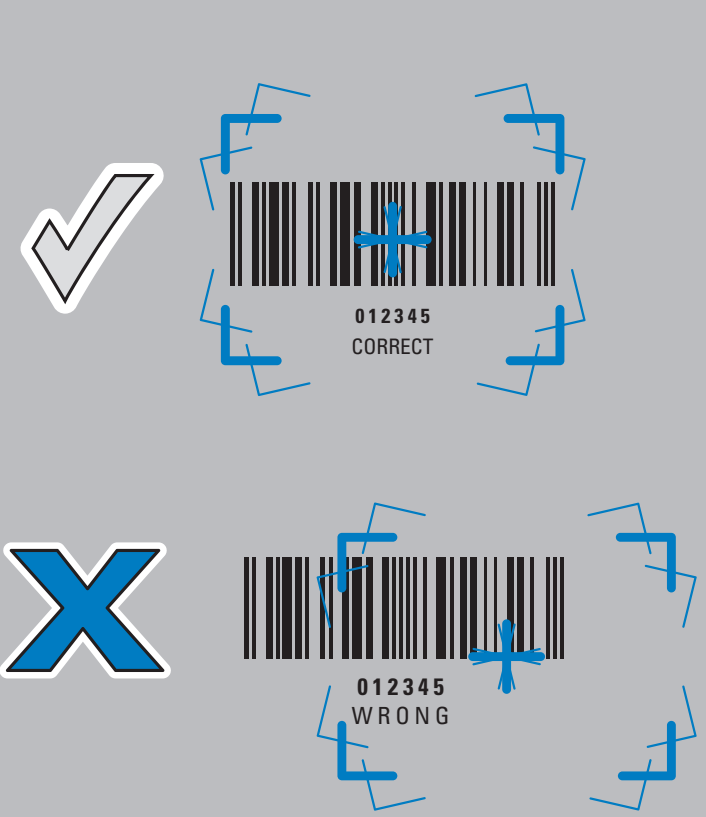
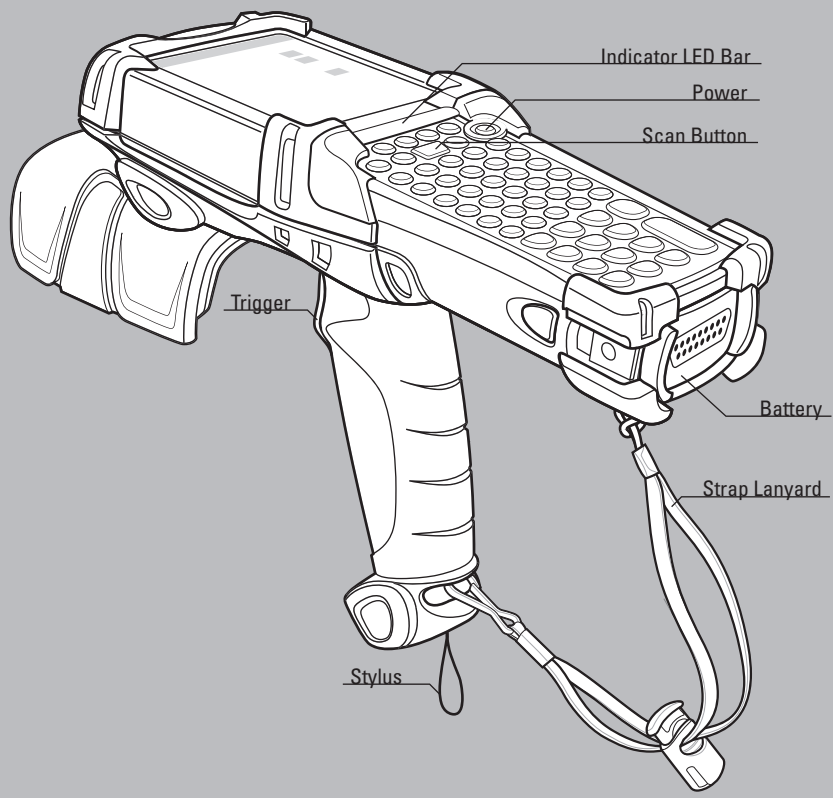


Single Slot Serial/USB Cradle

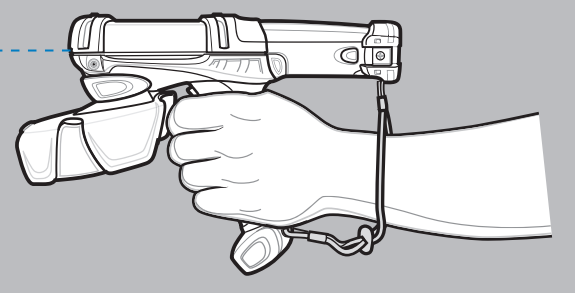


Four Slot Cradles
Charge-Only Cradle and Ethernet Cradle

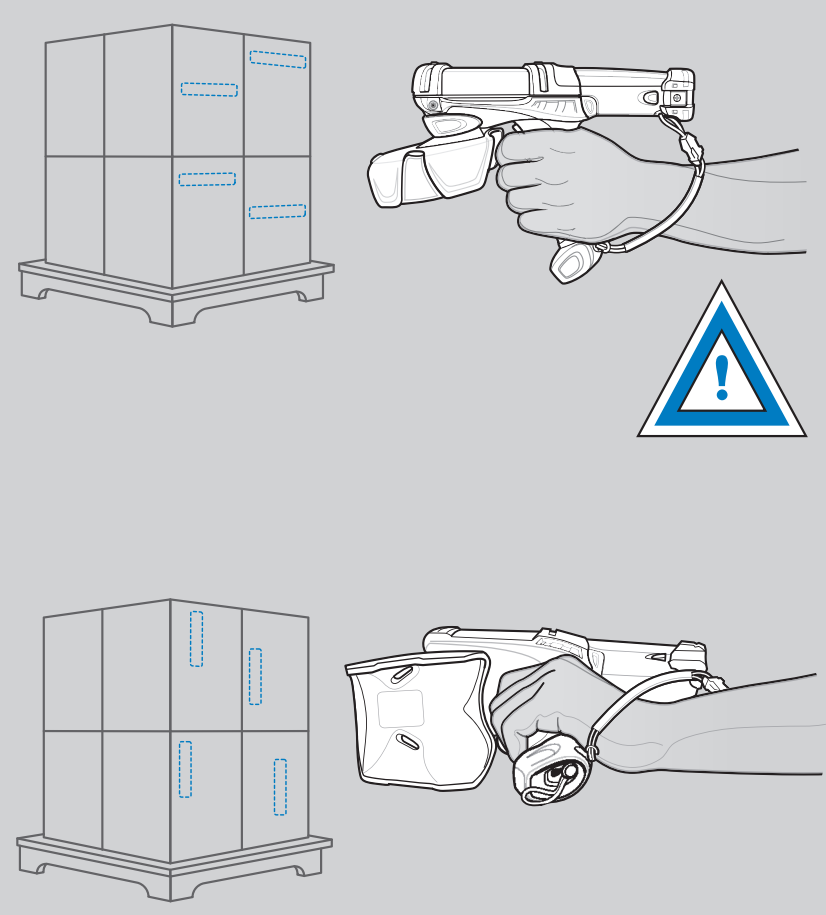
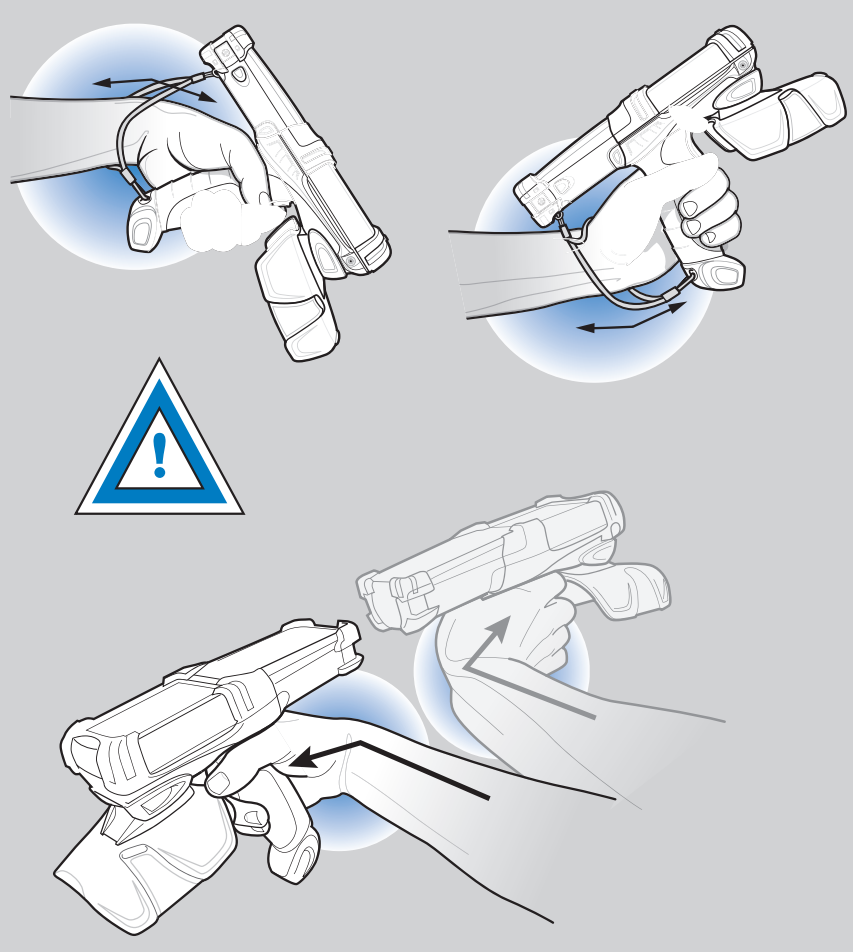
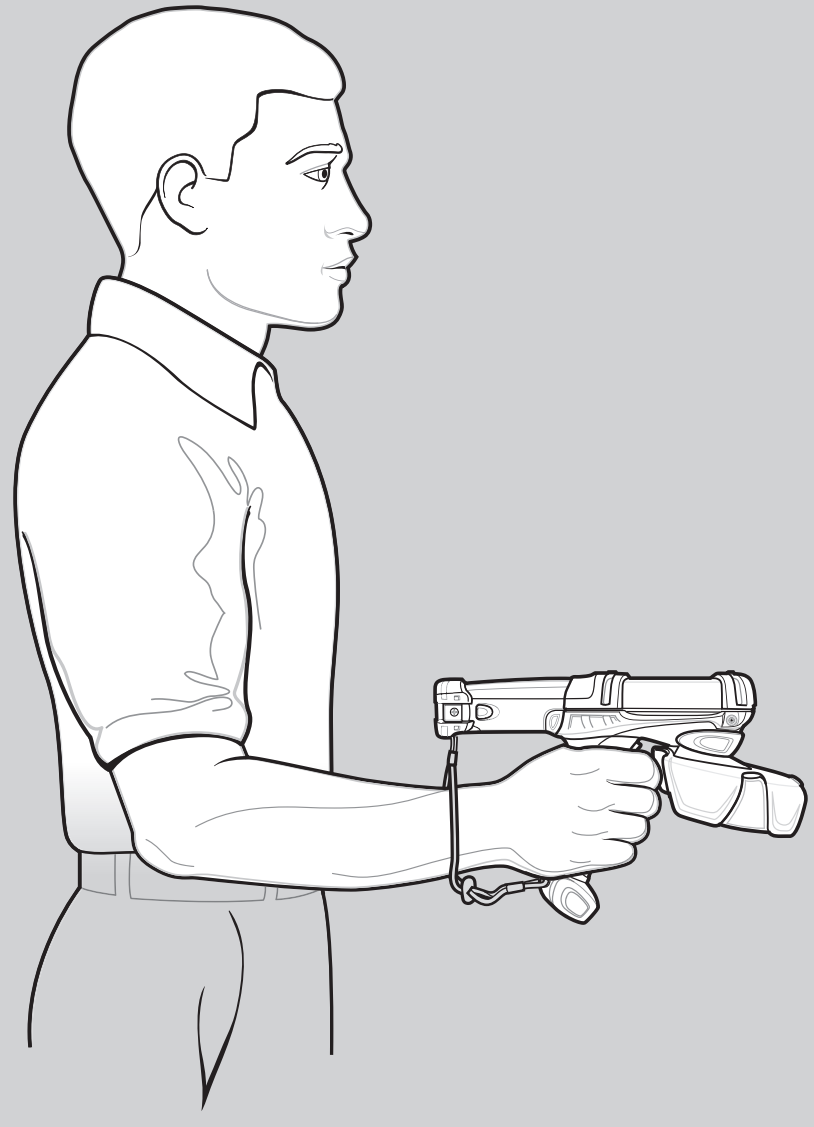
OPTIMUM IMAGING AND SCANNING POSITIONS



Scanning/Imaging



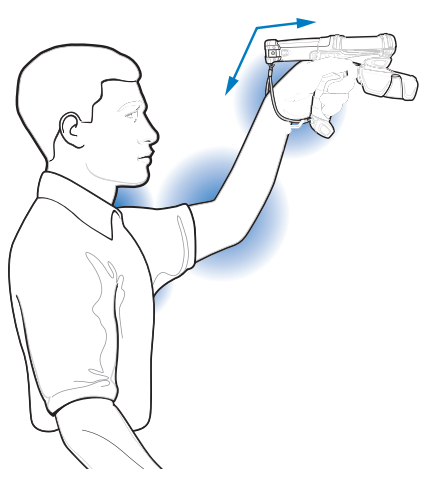
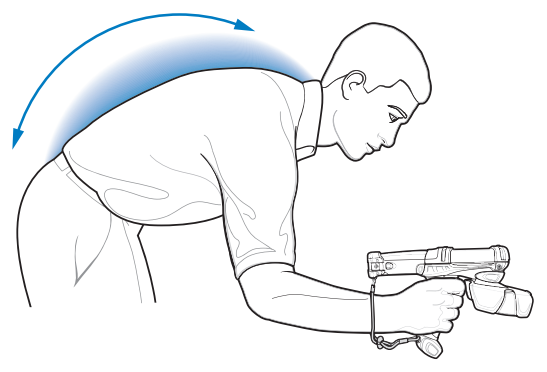
OPTIMUM UPRIGHT BODY POSTURE



OPTIMUM BODY POSTURE

Low Scanning

Alternate left and right knees



High Scanning

Use a ladder



Taking breaks and task rotation recommended



<http://www.symbol.com/rfid>