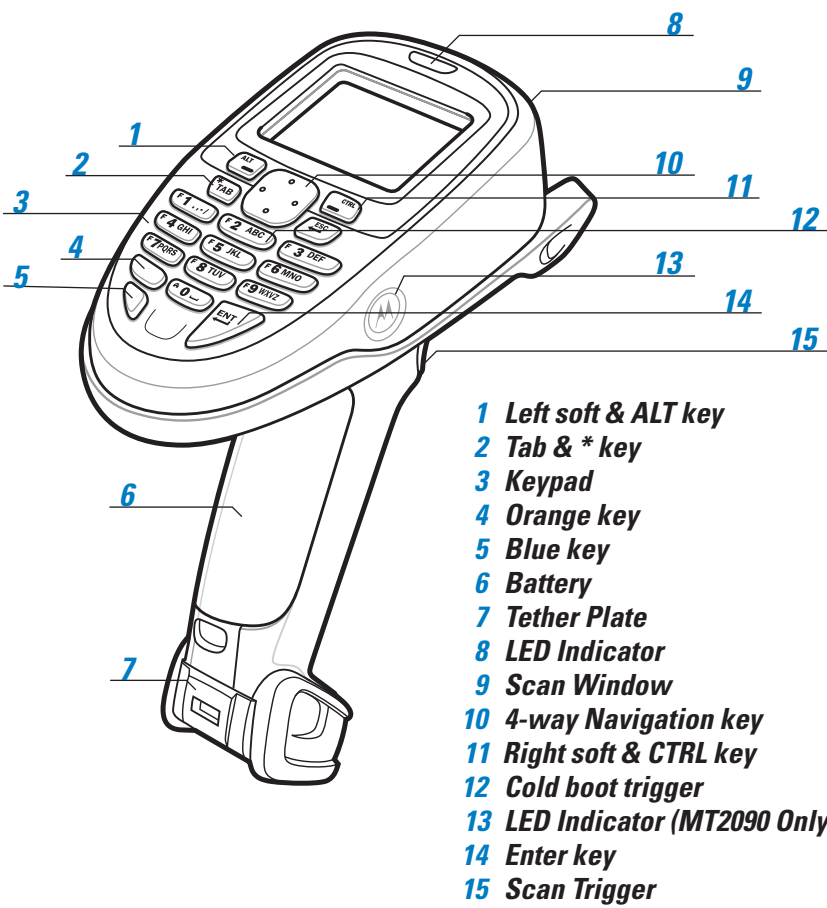
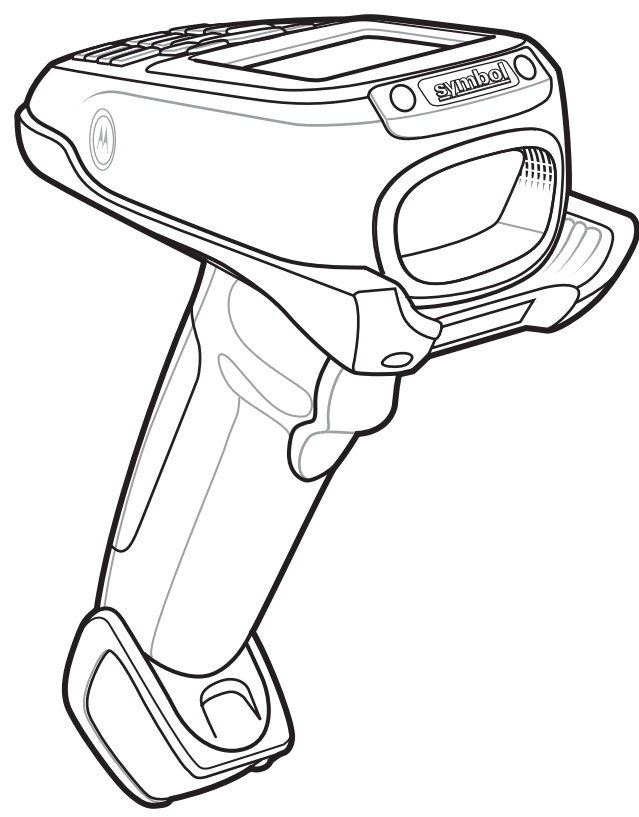




MT2000 Series Quick Start Guide

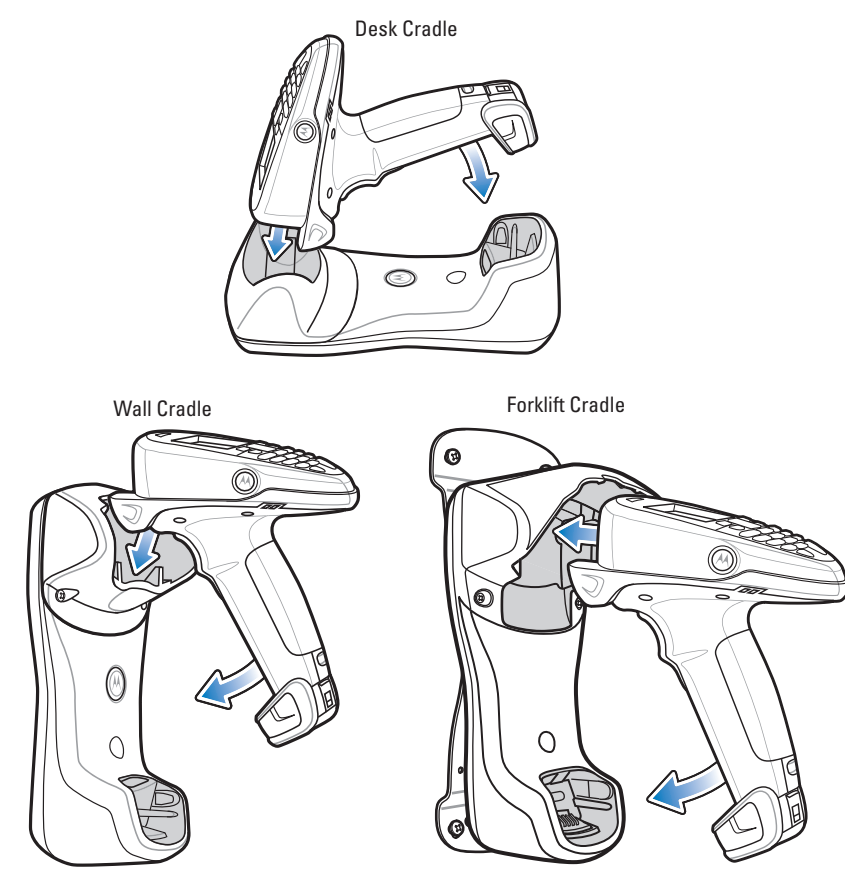
<http://www.motorola.com/mt2070> Refer to User Guide for detailed information
<http://www.motorola.com/mt2090>

POST IN WORK AREA

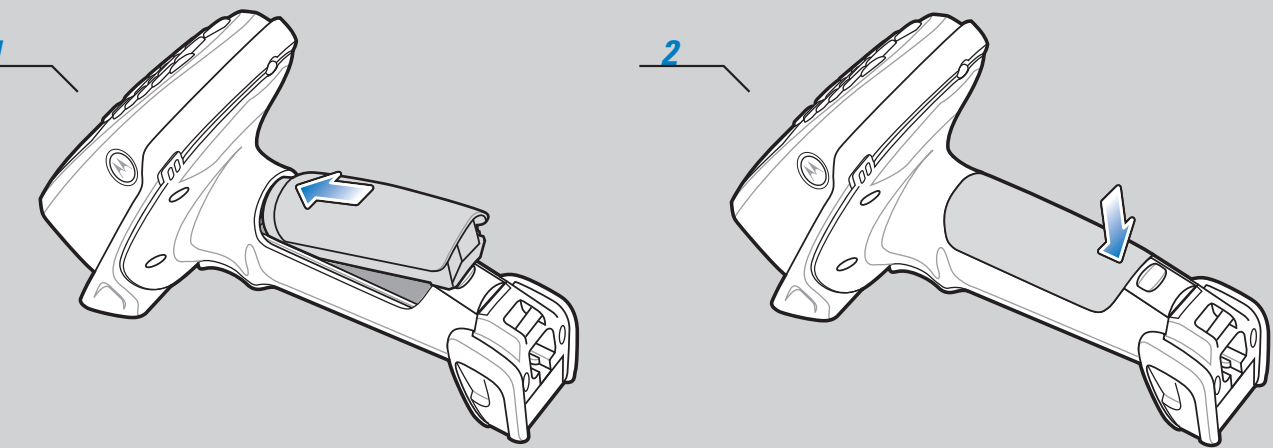


- 1 Left soft & ALT key
- 2 Tab & * key
- 3 Keypad
- 4 Orange key
- 5 Blue key
- 6 Battery
- 7 Tether Plate
- 8 LED Indicator
- 9 Scan Window
- 10 4-way Navigation key
- 11 Right soft & CTRL key
- 12 Cold boot trigger
- 13 LED Indicator (MT2090 Only)
- 14 Enter key
- 15 Scan Trigger

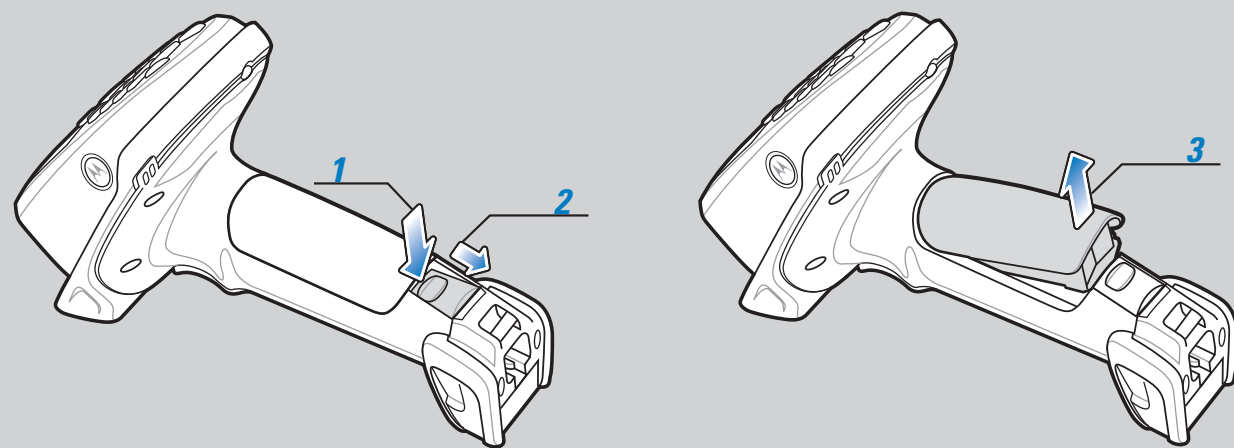
Insert Scanner in Cradle



BATTERY INSERTION

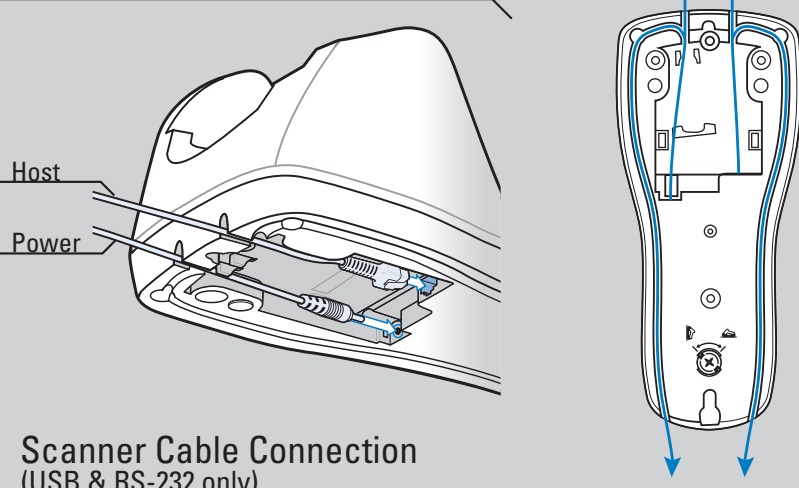


BATTERY REMOVAL

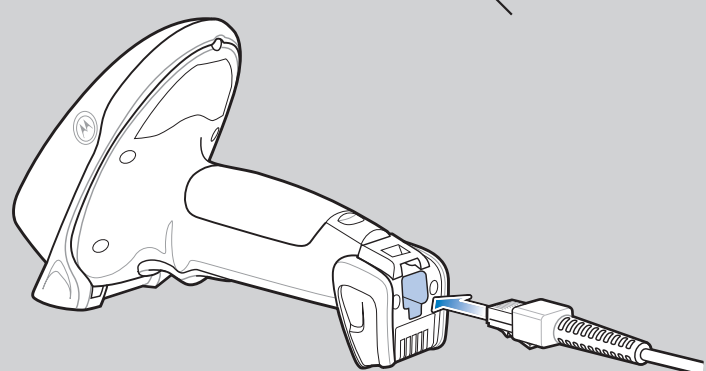


CONNECTIONS

Cradle Cable Connections

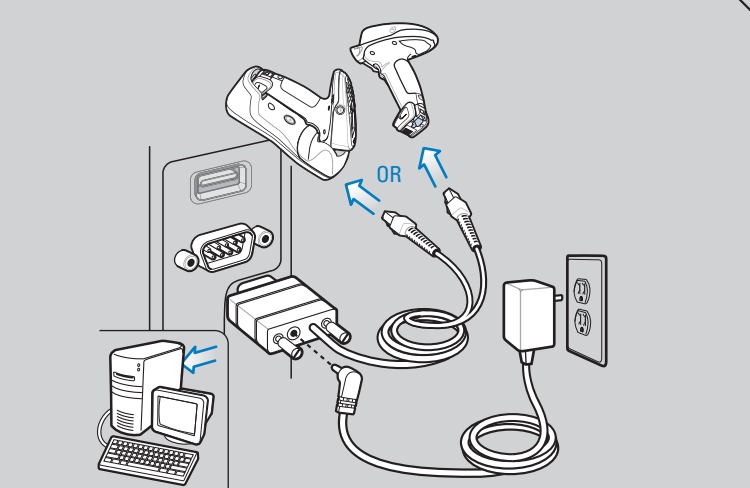


Scanner Cable Connection (USB & RS-232 only)

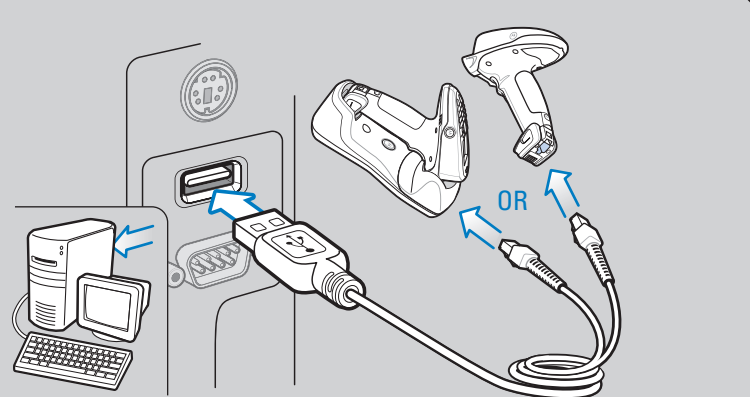


NOTE: Cables may vary depending on configuration. When using an external power supply, insert the power cable into the cradle first, then insert the host cable. Connect the power cable to an AC outlet last.

RS-232

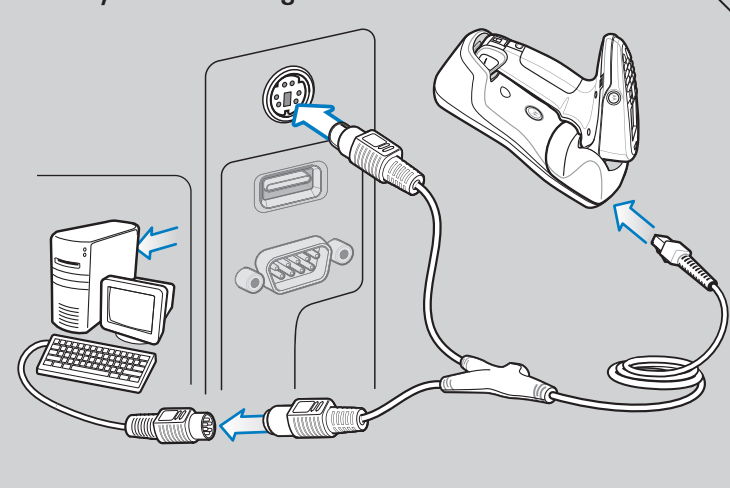


USB

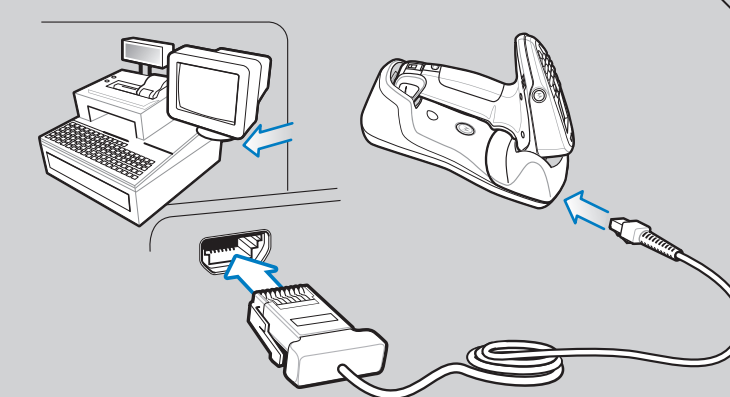


HOST INTERFACES

Keyboard Wedge



IBM 46XX



TROUBLESHOOTING

Refer to the MT2000 Series User Guide Troubleshooting section for further information.

Scanner not working

- No power to scanner
Check battery
- NOTE: Under certain circumstances, a fully discharged battery can take up to 30 minutes to charge before the scanner is operational. Refer to the User Guide for detailed information.

Scanner not decoding bar code

- Scanner not programmed for bar code type
Ensure scanner is programmed to read type of bar code being scanned
- Bar code unreadable
Ensure bar code is not defaced; try scanning test bar code of same bar code type
- Scanning application is not running
From the Home screen display on the scanner, select Scan Item to run the scanning application

Scanner decoding bar code, but data not transmitting to host

- Scanner not paired to host-connected cradle
Pair the scanner to the cradle (using the PAIR bar code on the cradle)
- Cradle not programmed for correct host interface
Check scanner host parameters or edit options
- Interface cable is loose
Check for loose cable connections

Scanned data incorrectly displayed on host

- Paired cradle host communication parameters do not match the host's parameters
Check cradle host parameters or edit options

NOTE: If data is still not transmitting to host, it may be necessary to recycle power on the cradle.

MT2000 SERIES PROGRAMMING BAR CODES

Host Types

RS-232 Host Types



STANDARD RS-232



ICL RS-232



NIXDORF RS-232 MODE B



FUJITSU RS-232



NIXDORF RS-232 MODE A



OPOS/JPOS

USB Host Types



HID KEYBOARD EMULATION



IBM HAND-HELD USB



ACTIVESYNC HOST

Keyboard Wedge Host Types



IBM PC/AT and IBM PC COMPATIBLE

Radio Communications Host Types



CRADLE HOST



SERIAL PORT PROFILE (SLAVE)



BLUETOOTH KEYBOARD EMULATION (HID SLAVE)



SERIAL PORT PROFILE (MASTER)

IBM 46XX Host Types



PORT 5B



PORT 9B

Host Mode



CABLE PRIORITY



CABLE ONLY



WIRELESS ONLY

Miscellaneous

Restore Defaults

Note: Paired scanners disconnect from the cradle when Restore Defaults is scanned.



RESTORE DEFAULTS

Set Factory Defaults

Note: The Set Factory Defaults parameter only changes the scanner's programmable parameters to the factory defaults.



SET FACTORY DEFAULTS

Scan to Add an Enter Key (Carriage Return/Line Feed)



SCAN OPTIONS



ENTER



<DATA>-<SUFFIX>

Unpairing/Disconnection



UNPAIR/DISCONNECT

