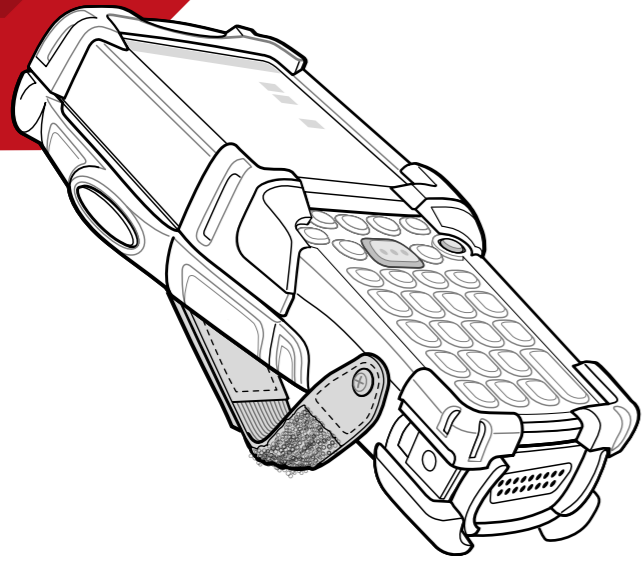


MC9000-S Quick Start Guide

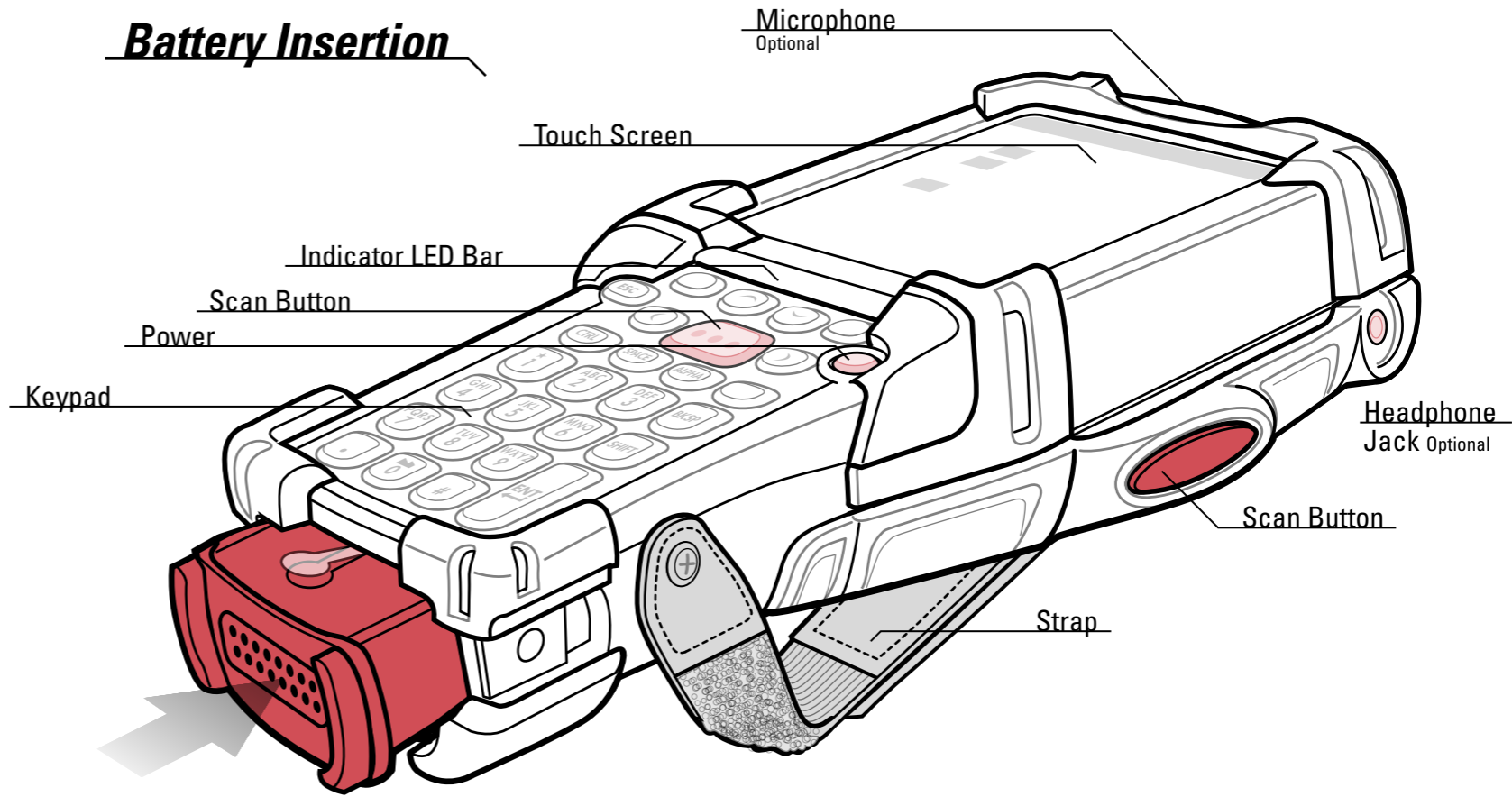
<http://www.symbol.com/mc9000-s>

See Product Reference Guide for more information

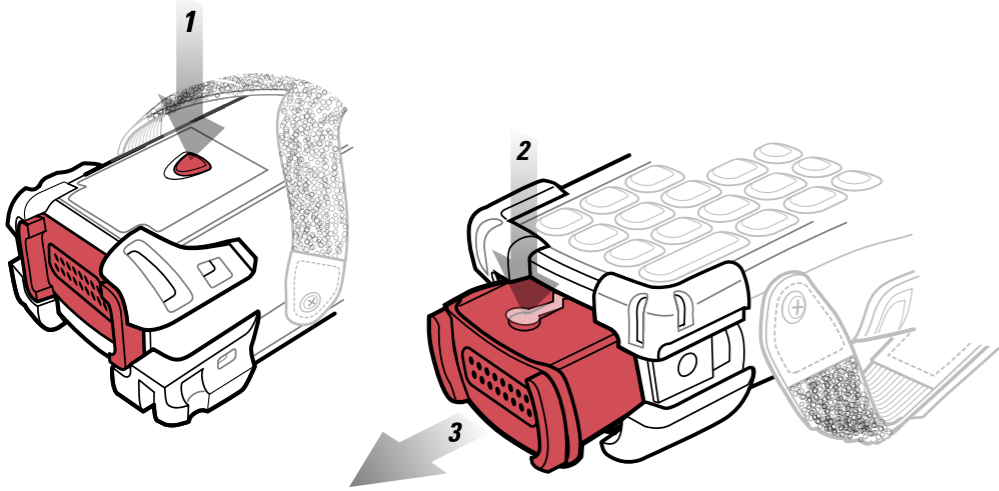
POST IN WORK AREA



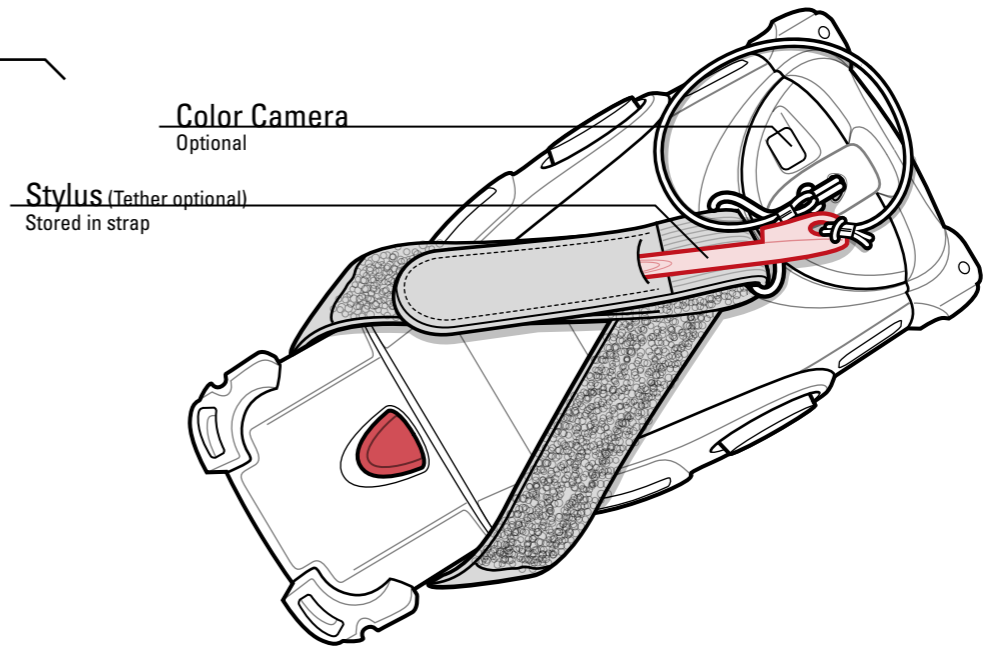
Battery Insertion



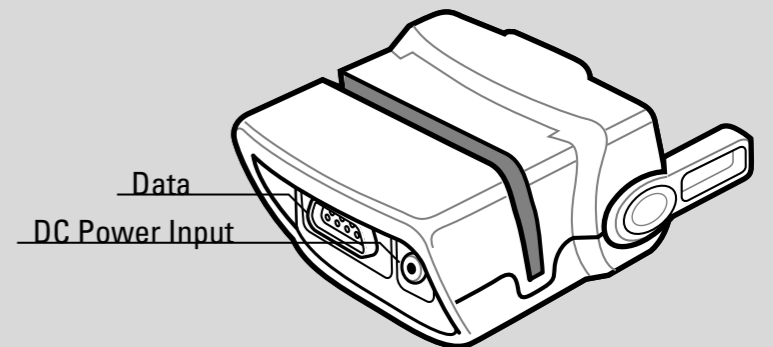
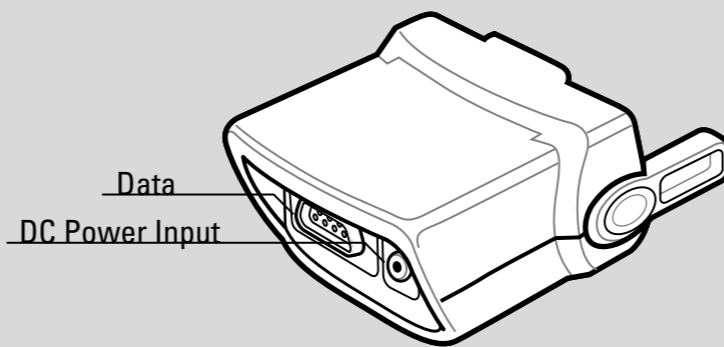
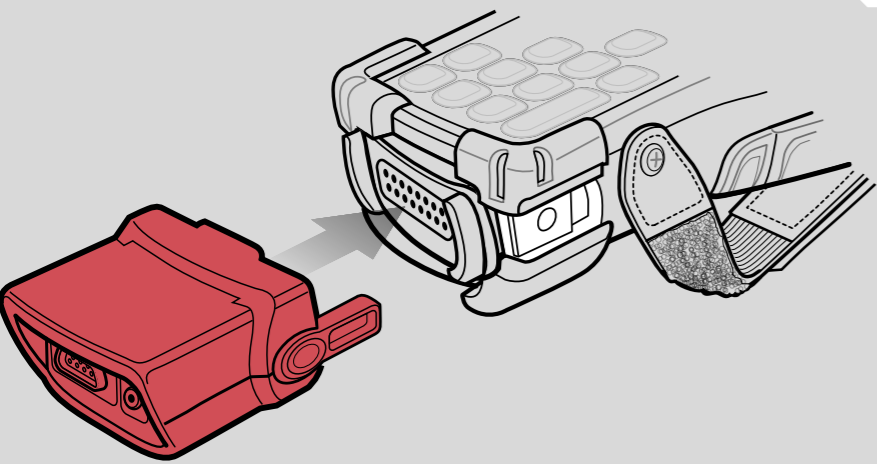
Battery Removal



Back View



Snap-on Accessory Installation

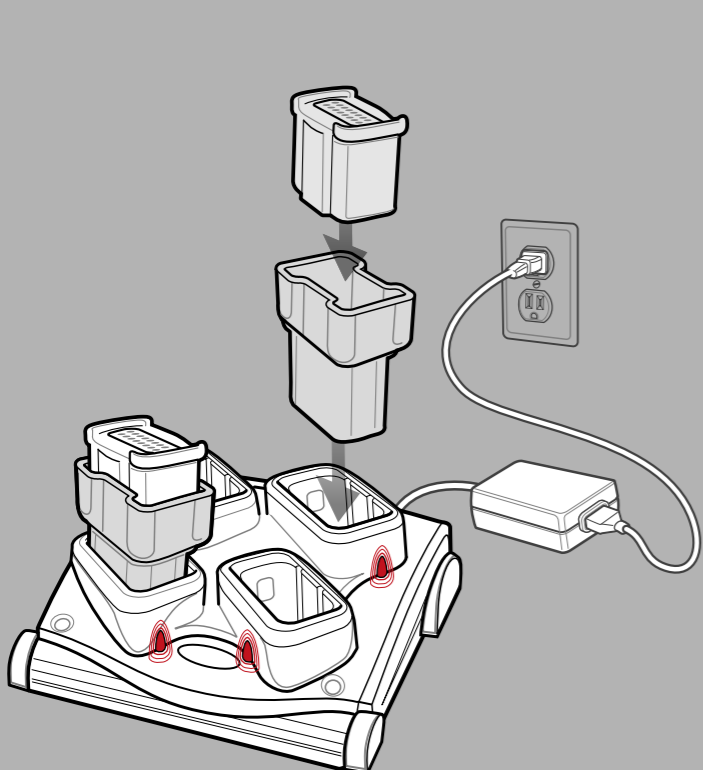


Cable Adapter Module

Magnetic Stripe Reader

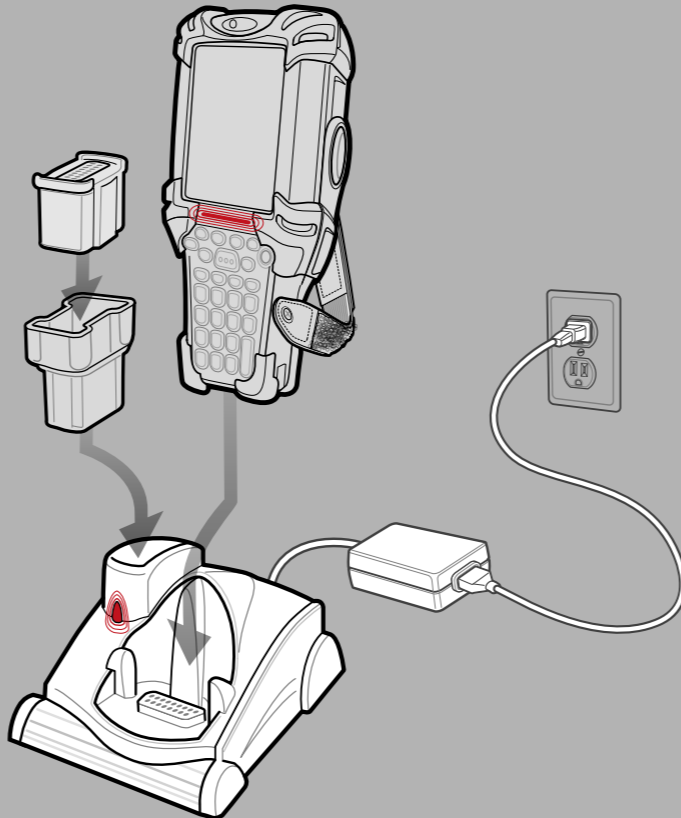
Charging Instructions

● = LED Indicator Location
Slow Flash = Normal Charge | Solid Amber = Full Charge | Fast Flash = Charging Error



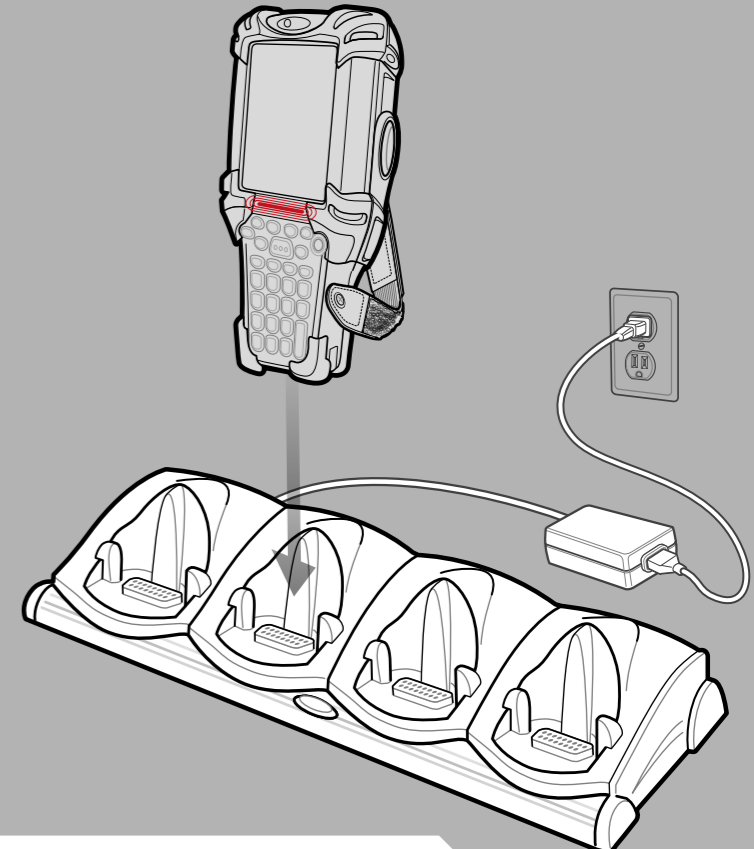
Four Slot Spare Battery Charger

with the Short Battery Adapter



Single Slot Serial/USB Cradle

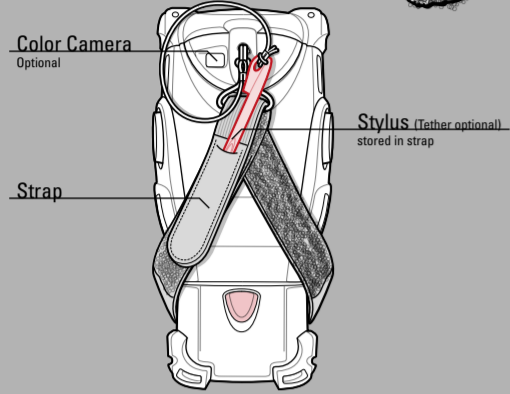
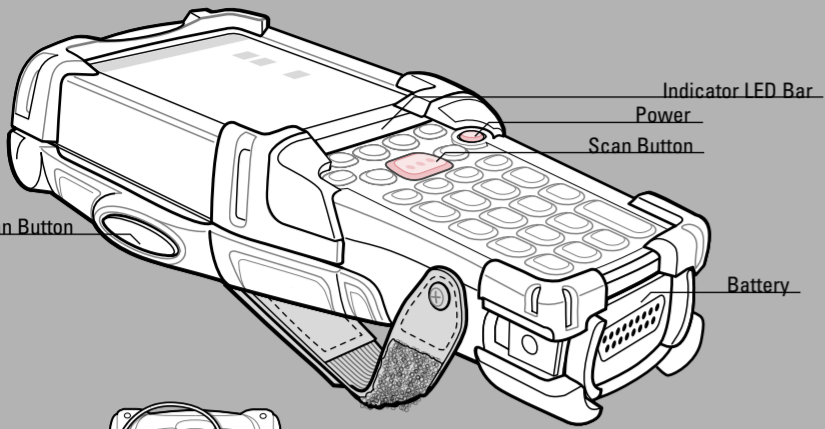
with the Short Battery Adapter



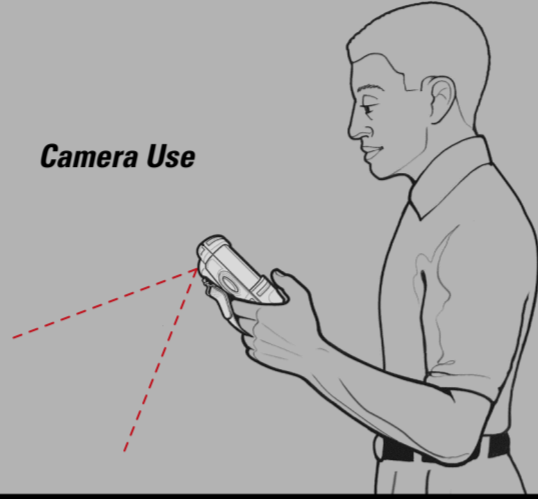
Four Slot Cradles

Charge-Only Cradle and Ethernet Cradle

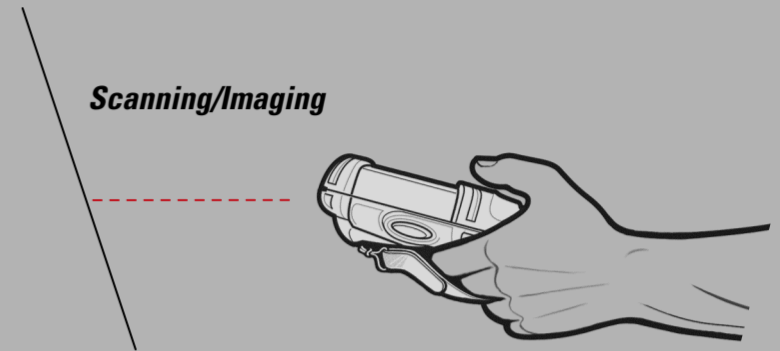
Optimum Imaging and Scanning Positions



Camera Use



Scanning/Imaging



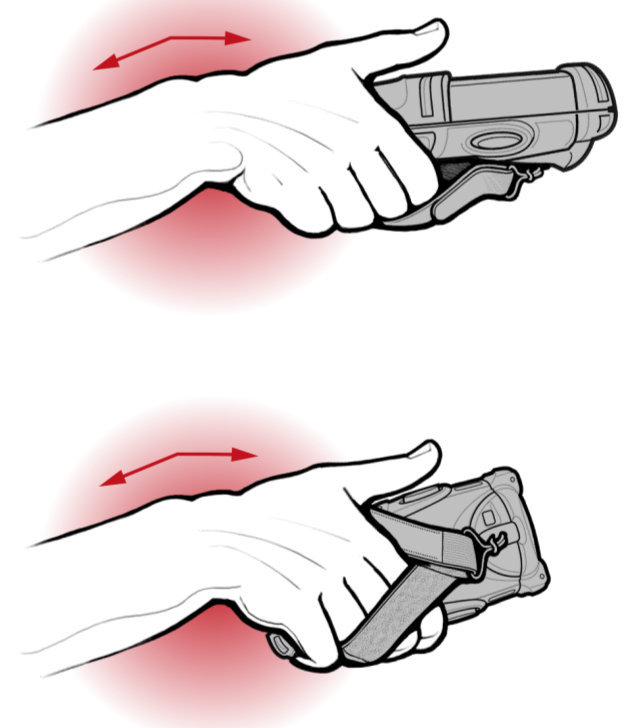
Optimum Upright Body Postures



Avoid Extreme Wrist Angles



AVOID EXTREME WRIST ANGLES



Optimum Body Posture for Low Scanning

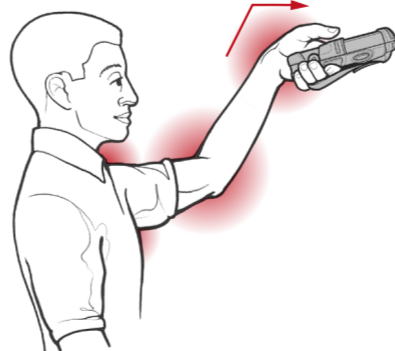
ALTERNATE LEFT AND RIGHT KNEES



AVOID BENDING

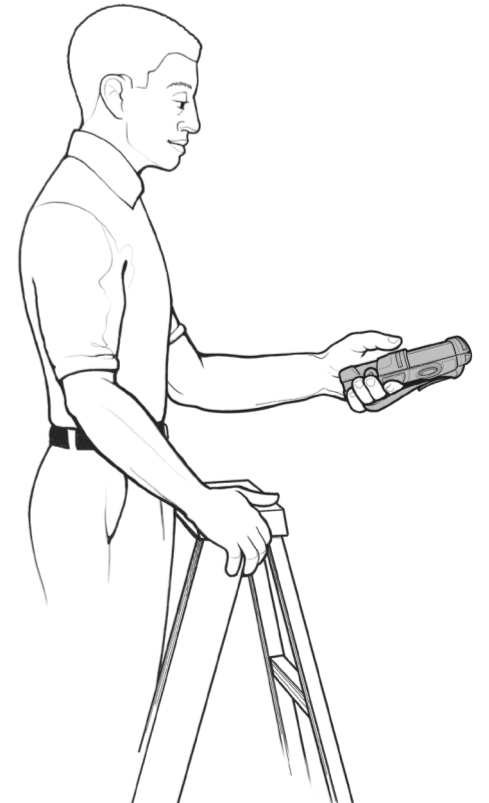


AVOID REACHING



Optimum Body Posture for High Scanning

USE A LADDER



72-65258-01 Rev A November 2003

POST IN WORK AREA