

# QRG

M K 1 1 0 0  
M i c r o K i o s k



**symbol®**



© 2004 SYMBOL TECHNOLOGIES, INC. All rights reserved.

Symbol reserves the right to make changes to any product to improve reliability, function, or design.

Symbol does not assume any product liability arising out of, or in connection with, the application or use of any product, circuit, or application described herein.

No license is granted, either expressly or by implication, estoppel, or otherwise under any patent right or patent, covering or relating to any combination, system, apparatus, machine, material, method, or process in which Symbol products might be used. An implied license exists only for equipment, circuits, and subsystems contained in Symbol products.

Symbol and the Symbol logo are registered trademarks of Symbol Technologies, Inc. Other product names mentioned in this manual may be trademarks or registered trademarks of their respective companies and are hereby acknowledged.

Symbol Technologies, Inc.

One Symbol Plaza

Holtsville, N.Y. 11742-1300

<http://www.symbol.com>

## Patents

This product is covered by one or more of the following U.S. and foreign Patents:

U.S. Patent No. 4,593,186; 4,603,262; 4,607,156; 4,652,750; 4,673,805; 4,736,095; 4,758,717; 4,760,248; 4,806,742; 4,816,660; 4,845,350; 4,896,026; 4,897,532; 4,923,281; 4,933,538; 4,992,717; 5,015,833; 5,017,765; 5,021,641; 5,029,183; 5,047,617; 5,103,461; 5,113,445; 5,130,520; 5,140,144; 5,142,550; 5,149,950; 5,157,687; 5,168,148; 5,168,149; 5,180,904; 5,216,232; 5,229,591; 5,230,088; 5,235,167; 5,243,655; 5,247,162; 5,250,791; 5,250,792; 5,260,553; 5,262,627; 5,262,628; 5,266,787; 5,278,398; 5,280,162; 5,280,163; 5,280,164; 5,280,498; 5,304,786; 5,304,788; 5,306,900; 5,324,924; 5,337,361; 5,367,151; 5,373,148; 5,378,882; 5,396,053; 5,396,055; 5,399,846; 5,408,081; 5,410,139; 5,410,140; 5,412,198; 5,418,812; 5,420,411; 5,436,440; 5,444,231; 5,449,891; 5,449,893; 5,468,949; 5,471,042; 5,478,998; 5,479,000; 5,479,002; 5,479,441; 5,504,322; 5,519,577; 5,528,621; 5,532,469; 5,543,610; 5,545,889; 5,552,592; 5,557,093; 5,578,810; 5,581,070; 5,589,679; 5,589,680; 5,608,202; 5,612,531; 5,619,028; 5,627,359; 5,637,852; 5,664,229; 5,668,803; 5,675,139; 5,693,929; 5,698,835; 5,705,800; 5,714,746; 5,723,851; 5,734,152; 5,734,153; 5,742,043; 5,745,794; 5,754,587; 5,762,516; 5,763,863; 5,767,500; 5,789,728; 5,789,731; 5,808,287; 5,811,785; 5,811,787; 5,815,811; 5,821,519; 5,821,520; 5,823,812; 5,828,050; 5,848,064; 5,850,078; 5,861,615; 5,874,720; 5,875,415; 5,900,617; 5,902,989; 5,907,146; 5,912,450; 5,914,478; 5,917,173; 5,920,059; 5,923,025; 5,929,420; 5,945,658; 5,945,659; 5,946,194; 5,959,285; 6,002,918; 6,021,947; 6,029,894; 6,031,830; 6,036,098; 6,047,892; 6,050,491; 6,053,413; 6,056,200; 6,065,678; 6,067,297; 6,082,621; 6,084,528; 6,088,482; 6,092,725; 6,101,483; 6,102,293; 6,104,620; 6,114,712; 6,115,678; 6,119,944; 6,123,265; 6,131,814; 6,138,180; 6,142,379; 6,172,478; 6,176,428; 6,178,426; 6,186,400; 6,188,681; 6,209,788; 6,209,789; 6,216,951; 6,220,514; 6,243,447; 6,244,513; 6,247,647; 6,308,061; 6,250,551; 6,295,031; 6,308,061; 6,308,892; 6,321,990; 6,328,213; 6,330,244; 6,336,587; 6,340,114; 6,340,115; 6,340,119; 6,348,773; 6,380,949; 6,394,355; D305,885; D341,584; D344,501; D359,483; D362,453; D363,700; D363,918; D370,478; D383,124; D391,250; D405,077; D406,581; D414,171; D414,172; D418,500; D419,548; D423,468; D424,035; D430,158; D430,159; D431,562; D436,104.

Invention No. 55,358; 62,539; 69,060; 69,187, NI-068564 (Taiwan); No. 1,601,796; 1,907,875; 1,955,269 (Japan); European Patent 367,299; 414,281; 367,300; 367,298; UK 2,072,832; France 81/03938; Italy 1,138,713  
rev. 06/02

## Introduction

The MK 1100 web-enabled micro kiosk provides retail shoppers access to critical data needed to make informed purchasing decisions.

## About This Guide

This guide provides information on setting up the MK 1100, including:

- [Unpacking on page 1](#)
- [Parts on page 2](#)
- [Reset Function on page 4](#)
- [Ports on page 4](#)
- [Troubleshooting on page 5](#)
- [Regulatory Information on page 8](#)
- [Service Information on the back cover.](#)

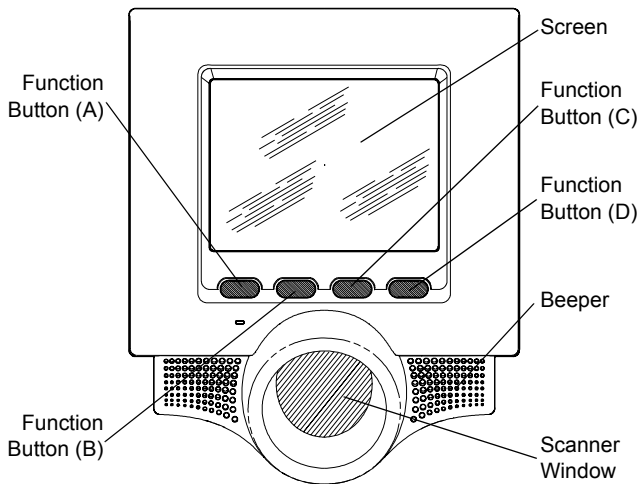
For detailed information on the MK 1100, refer to the *MK 1100 Product Reference Guide*, p/n 72-67562-xx, available from the Symbol website at <http://www.symbol.com/manuals>.

## Unpacking

If any parts are missing or damaged, contact an authorized Customer Support Representative immediately. See this manual's back cover for contact information. Save the shipping box for storing or shipping. Items provided:

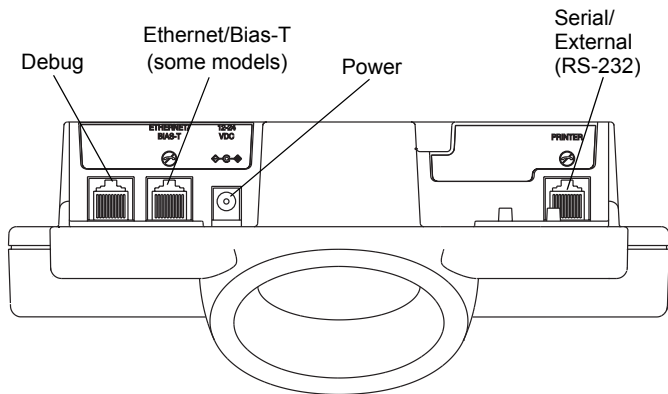
- MK 1100
- Mounting template (p/n 72-63572-xx)
- This quick reference guide (p/n 72-67561-xx).

## Parts

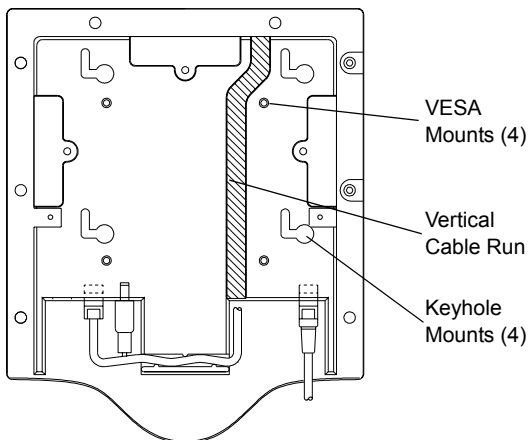


# Q u i c k R e f e r e n c e

## Bottom View



## Back View



Note: Refer to the *MK 1100 Product Reference Guide* for installation and mounting procedures and Electrostatic Discharge (ESD) safe handling precautions.



## Reset Function

To reset (cold boot) the MK 1100, press and hold function buttons B and C simultaneously until the display goes blank (about 15 seconds).

## Ports

The back of the MK 1100 is equipped with the following ports (see [page 3](#)):

- **Power:** This 2.0 mm barrel jack supports connection of an external power supply which plugs into an AC outlet to power the MK 1100 when necessary. The center pin of the jack is positive and the outer sleeve is ground.
- **Ethernet/Bias-T:** This option enables Ethernet data communication on wired Ethernet configured units only (note that although all models have an Ethernet jack, some models do not have Ethernet functionality):
  - **Power via AC Outlet:** An Ethernet cable (10base-T) connects to the Ethernet/Bias-T port and provides communication. An AC power supply is required to power the MK 1100.
  - **Power-over-Ethernet:** An Ethernet (10Base-T) cable connects to the Ethernet/Bias-T port, and powers the MK 1100. An AC power supply is not required.
- **Serial/External (RS-232):** The RS-232 port (RJ-45 jack, 10-pin conductor) is used for serial communication with a host or connection to an external device such as a printer. Confirm cable pin-outs before attaching the cable.

## Troubleshooting

Problem	Possible Cause	Possible Solutions
MK 1100 does not turn on.	No power to the MK 1100.	For power via AC outlet configuration, check AC power to the power supply. Ensure power supply is plugged into an AC power source and the MK 1100.
		For Power-over-Ethernet configuration: <ul style="list-style-type: none"> <li>• Confirm Ethernet cable is plugged into MK 1100 Ethernet/Bias-T port.</li> <li>• Confirm other end of Ethernet cable is plugged into Bias-T (Power-over-Ethernet).</li> <li>• Confirm Bias-T (Power-over-Ethernet) module is plugged into a power supply.</li> <li>• Perform continuity check on Ethernet cable (refer to the <i>MK 1100 Product Reference Guide</i>).</li> </ul>
MK 1100 does not send data to host computer.	MK 1100 is not programmed to work with the host.	Check communication parameter settings (refer to the <i>MK 1100 Product Reference Guide</i> ).
	MK 1100 is not connected to the host.	Check cables to host computer (refer to the <i>MK 1100 Product Reference Guide</i> ).



## END-USER LICENSE AGREEMENT

- You have acquired a device (“DEVICE”) that includes software licensed by Symbol Technologies, Inc. from Microsoft Licensing Inc. or its affiliates (“MS”). Those installed software products of MS origin, as well as associated media, printed materials, and “online” or electronic documentation (“SOFTWARE”) are protected by international intellectual property laws and treaties. The SOFTWARE is licensed, not sold. All rights reserved.
- IF YOU DO NOT AGREE TO THIS END USER LICENSE AGREEMENT (“EULA”), DO NOT USE THE DEVICE OR COPY THE SOFTWARE. INSTEAD, PROMPTLY CONTACT SYMBOL TECHNOLOGIES, INC. FOR INSTRUCTIONS ON RETURN OF THE UNUSED DEVICE(S) FOR A REFUND. ANY USE OF THE SOFTWARE, INCLUDING BUT NOT LIMITED TO USE ON THE DEVICE, WILL CONSTITUTE YOUR AGREEMENT TO THIS EULA (OR RATIFICATION OF ANY PREVIOUS CONSENT).

**GRANT OF SOFTWARE LICENSE.** This EULA grants you the following license:

- You may use the SOFTWARE only on the DEVICE.
- **NOT FAULT TOLERANT.** THE SOFTWARE IS NOT FAULT TOLERANT. SYMBOL TECHNOLOGIES, INC. HAS INDEPENDENTLY DETERMINED HOW TO USE THE SOFTWARE IN THE DEVICE, AND MS HAS RELIED UPON SYMBOL TECHNOLOGIES, INC. TO CONDUCT SUFFICIENT TESTING TO DETERMINE THAT THE SOFTWARE IS SUITABLE FOR SUCH USE.
- **NO WARRANTIES FOR THE SOFTWARE.** THE SOFTWARE is provided “AS IS” and with all faults. THE ENTIRE RISK AS TO SATISFACTORY QUALITY, PERFORMANCE, ACCURACY, AND EFFORT (INCLUDING LACK OF NEGLIGENCE) IS WITH YOU. ALSO, THERE IS NO WARRANTY AGAINST INTERFERENCE WITH YOUR ENJOYMENT OF THE SOFTWARE OR AGAINST INFRINGEMENT. IF YOU HAVE RECEIVED ANY WARRANTIES REGARDING THE DEVICE OR THE SOFTWARE, THOSE WARRANTIES DO NOT ORIGINATE FROM, AND ARE NOT BINDING ON, MS.
- If you use the DEVICE to access or utilize the services or functionality of Microsoft Windows Server products (such as Microsoft Windows NT Server 4.0 (all editions) or Microsoft Windows 2000 Server (all editions)), or use the DEVICE to permit workstation or computing devices to access or utilize the services or functionality of Microsoft Windows Server products, you may be required to obtain a Client Access License for the DEVICE and/or each such workstation or computing device. Please refer to the end user license agreement for your Microsoft Windows Server product for additional information.
- **ActiveSync Software.** Your DEVICE package may include software contained on a CD ROM disc containing the ActiveSync connectivity technology for the personal computer (“ActiveSync”). If ActiveSync is included with your DEVICE, you may install and use the component(s) of ActiveSync in accordance with the terms of the end user license agreement provided with such component(s). If no separate end user license agreement is provided, you may install and use only one (1) copy of such component(s) on a single computer with which you use the DEVICE.



## Q u i c k R e f e r e n c e

- Note on Compatibility of ActiveSync. Notwithstanding any online “help” files or other online information displayed by ActiveSync, neither Microsoft Licensing Inc. nor its suppliers (including Microsoft Corporation) represents or makes any warranty that ActiveSync will operate in a specific manner or operate with any computer or computing device, whether or not such computer(s) or computing device(s) contain Microsoft Windows Operating System software or Microsoft Windows CE Operating System software.
- **Note on Java Support.** The SOFTWARE may contain support for programs written in Java. Java technology is not fault tolerant and is not designed, manufactured, or intended for use or resale as online control equipment in hazardous environments requiring fail-safe performance, such as in the operation of nuclear facilities, aircraft navigation or communication systems, air traffic control, direct life support machines, or weapons systems, in which the failure of Java technology could lead directly to death, personal injury, or severe physical or environmental damage. Sun Microsystems, Inc. has contractually obligated MS to make this disclaimer.
- No Liability for Certain Damages. EXCEPT AS PROHIBITED BY LAW, MS SHALL HAVE NO LIABILITY FOR ANY INDIRECT, SPECIAL, CONSEQUENTIAL OR INCIDENTAL DAMAGES ARISING FROM OR IN CONNECTION WITH THE USE OR PERFORMANCE OF THE SOFTWARE. THIS LIMITATION SHALL APPLY EVEN IF ANY REMEDY FAILS OF ITS ESSENTIAL PURPOSE. IN NO EVENT SHALL MS BE LIABLE FOR ANY AMOUNT IN EXCESS OF U.S. TWO HUNDRED FIFTY DOLLARS (U.S.\$250.00).
- **Limitations on Reverse Engineering, Decompilation, and Disassembly.** You may not reverse engineer, decompile, or disassemble the SOFTWARE, except and only to the extent that such activity is expressly permitted by applicable law notwithstanding this limitation.
- **Additional Software.** Any SOFTWARE provided to you by Symbol Technologies, Inc. or MS which updates or supplements the original SOFTWARE is governed by this EULA unless alternative terms are provided with such updates or supplements.
- **RECOVERY MEDIA.** If SOFTWARE is provided by Symbol Technologies, Inc. on separate media and labeled “Recovery Media” you may use the Recovery Media solely to restore or reinstall the SOFTWARE originally installed on the DEVICE.
- **SOFTWARE TRANSFER ALLOWED BUT WITH RESTRICTIONS.** You may permanently transfer rights under this EULA only as part of a permanent sale or transfer of the DEVICE, and only if the recipient agrees to this EULA. If the SOFTWARE is an upgrade, any transfer must also include all prior versions of the SOFTWARE.

**EXPORT RESTRICTIONS.** You acknowledge that SOFTWARE is of US-origin. You agree to comply with all applicable international and national laws that apply to the SOFTWARE, including the U.S. Export Administration Regulations, as well as end-user, end-use and country destination restrictions issued by U.S. and other governments. For additional information on exporting the SOFTWARE, see <http://www.microsoft.com/exporting/>.



## Regulatory Information

All Symbol devices are designed to be compliant with rules and regulations in locations they are sold and will be labeled as required.

Any changes or modifications to Symbol Technologies equipment, not expressly approved by Symbol Technologies, could void the user's authority to operate the equipment.

Antennas, use only the supplied or an approved replacement antenna. Unauthorized antennas, modifications, or attachments could cause damage and may violate regulations.

### Radio Modules

The MK1100 Product Family may contain approved radio modules. These modules are identified below.

MK1110: Contains Symbol PC Card RLAN (2Mbps FHSS) radio card, Type: LA-3021

MK1150: Contains Symbol PC Card RLAN (11Mbps DSSS) radio card, Type: LA-4121



### FCC RF Exposure Guidelines

#### ***Safety Information***

The device complies with Internationally recognised standards covering Specific Absorption Rate (SAR) related to human exposure to electromagnetic fields from radio devices.

#### ***Reducing RF Influence - Use Properly***

It is advisable to use the device only in the normal operating position and it is recommended that no part of the human body be allowed to come too close to the antenna during operation of the equipment.

#### ***Remote and Standalone Antenna Configurations***

To comply with FCC RF exposure requirements, antennas that are mounted externally at remote locations or operating near users at stand-alone desktop of similar configurations must operate with a minimum separation distance of 20 cm from all persons.

### Laser Devices



Symbol devices using lasers comply with US 21CFR1040.10, and IEC825-1:1993, EN60825-1:1994+A11:1996. The laser classification is marked on one of the labels on the device.

Class 1 Laser devices are not considered to be hazardous when used for their intended purpose. The following statement is required to comply with US and international regulations:

Caution: Use of controls, adjustments or performance of procedures other than those specified herein may result in hazardous laser light exposure.

# Q u i c k R e f e r e n c e

Class 2 laser scanners use a low power, visible light diode. As with any very bright light source, such as the sun, the user should avoid staring directly into the light beam. Momentary exposure to a Class 2 laser is not known to be harmful.

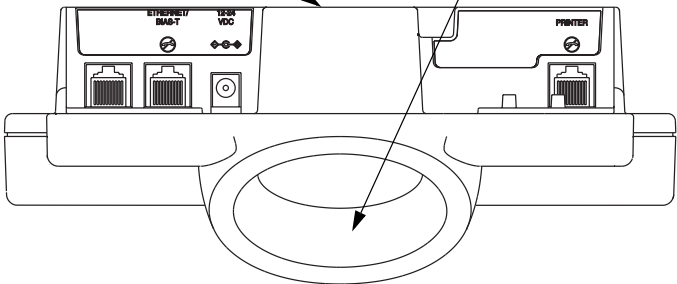
## Scanner Labeling

CAUTION- LASER LIGHT WHEN OPEN. DO NOT STARE INTO BEAM.  
ATTENTION- LUMIÈRE LASER EN CAS D'OUVERTURE. NE PAS REGARDER DANS LE FAISCEAU.  
VORSICHT- LASERLICHT, WENN ABDECKUNG GEÖFFNET. NICHT IN DEN STRAHL BLICK  
COMPLIES WITH 21CFR1040.10, IEC 825-1:1993/EN60825-1:1994 + A11:1996

LASER LIGHT- DO NOT STARE INTO BEAM. CLASS 2 LASER PRODUCT  
LASERLICHT - NICHT IN DEN STRAHL BLICKEN. LASER KLASSE 2  
LUMIÈRE LASER - NE PAS REGARDER DANS LE FAISCEAU APPAREIL À LASER DE CLASSE 2  
630-680nm, 1mW

**CAUTION**  
LASER LIGHT - DO NOT STARE INTO BEAM  
630-680 nm LASER  
1.0 mW MAX OUTPUT  
CLASS II LASER PRODUCT

AVOID EXPOSURE- LASER LIGHT IS EMITTED FROM THIS APERTURE  
EVITER TOUTE EXPOSITION. LUMIÈRE LASER EMIS PAR CETTE OUVERTURE





In accordance with Clause 5, IEC 825 and EN60825, the following information is provided to the user:



**ENGLISH**

CLASS 1 LASER PRODUCT  
LASER LIGHT  
DO NOT STARE INTO BEAM  
CLASS 2 LASER PRODUCT

**HEBREW**

מוצר לייזר רמה 1 רמה 1  
אור לייזר רמה 2  
אין להביט אל תוך הזרם מוצר לייזר רמה 2

**DANISH / DANSK**

KLASSE 1 LASERPRODUKT  
LASERLYF  
SE IKKE IND I STRÅLEN  
KLASSE 2 LASERPRODUKT

**ITALIAN / ITALIANO**

CLASSE 1 PRODOTTO AL LASER DI CLASSE 1  
LUCE LASER  
NON FISSARE IL RAGGIOPRODOTTO  
AL LASER DI CLASSE 2

**DUTCH / NEDERLANDS**

KLASSE 1 LASERPRODUKT  
LASERLICHT  
NIET IN STRAAL STAREN  
KLASSE-2 LASERPRODUKT

**NORWEGIAN / NORSK**

KLASSE 1 LASERPRODUKT, KLASSE 1  
KLASSE 2 LASERLYS IKKE STIRR INN I LYSSTRÅLEN  
LASERPRODUKT, KLASSE 2

**FINNISH / SUOMI**

LUOKKA 1 LASERTUOTE  
LASERVALO  
ÄLÄ TUJUTTA SÄDETTÄ  
LUOKKA 2 LASERTUOTE

**PORTUGUESE / PORTUGUÊS**

CLASSE 1 PRODUTO LASER DA CLASSE 1  
CLASSE 2 LUZ DE LASER NÃO FIXAR O RAIMO LUMINOSO  
PRODUTO LASER DA CLASSE 2

**FRENCH / FRANÇAIS**

CLASSE 1 PRODUIT LASER DE CLASSE 1  
CLASSE 2 LUMIÈRE LASER  
NE PAS REGARDER LE RAYON FIXEMENT  
PRODUIT LASER DE CLASSE 2

**SPANISH / ESPAÑOL**

CLASE 1 PRODUCTO LASER DE LA CLASE 1  
CLASE 2 LUZ LASER  
NO MIRÉ FIJAMENTE EL HAZ  
PRODUCTO LASER DE LA CLASE 2

**GERMAN / DEUTCH**

KLASSE 1 LASERPRODUKT DER KLASSE 1  
KLASSE 2 LASERSTRAHLEN  
NICHT DIREKT IN DEN LASERSTRAHL SCHAUEN  
LASERPRODUKT DER KLASSE 2

**SWEDISH / SVENSKA**

KLASS 1 LASERPRODUKT KLASS 1  
KLASS 2 LASERLJUS STIRRA INTE MOT STRÅLEN  
LASERPRODUKT KLASS 2

## Power Supply

Use only a Symbol-approved power supply P/N 50-14000-138, output rated 24VDC and minimum 1.5A. The power supply is certified to EN60950 with SELV outputs. Use of alternative power supply will invalidate any approval given to this device and may be dangerous.

Benutzen Sie nur eine Symbol Technologies genehmigt Stromversorgung 50-14000-138 in den Ausgabe: 24VDC und minimum 1.5A. Die Stromversorgung ist bescheinigt nach EN60950 mit SELV Ausgaben.

## Radio Frequency Interference Requirements-FCC



Note: This equipment has been tested and found to comply with the limits for a Class B digital device, pursuant to Part 15 of the FCC rules. These limits are designed to provide reasonable protection against harmful interference in a residential installation. This equipment

# Q u i c k R e f e r e n c e

generates, uses and can radiate radio frequency energy and, if not installed and used in accordance with the instructions, may cause harmful interference to radio communications. However there is no guarantee that interference will not occur in a particular installation. If this equipment does cause harmful interference to radio or television reception, which can be determined by turning the equipment off and on, the user is encouraged to try to correct the interference by one or more of the following measures:

- Reorient or relocate the receiving antenna
- Increase the separation between the equipment and receiver
- Connect the equipment into an outlet on a circuit different from that to which the receiver is connected
- Consult the dealer or an experienced radio/TV technician for help.

## Radio Frequency Interference Requirements - Canada

This Class B digital apparatus complies with Canadian ICES-003.

Cet appareil numérique de la classe B est conforme à la norme NMB-003 du Canada.

### **Radio Transmitters**

This device complies with RSS 210 of Industry & Science Canada. Operation is subject to the following two conditions: (1) this device may not cause harmful interference and (2) this device must accept any interference received, including interference that may cause undesired operation.

Label Marking: The Term "IC:" before the radio certification only signifies that Industry Canada technical specifications were met.



## CE Marking and European Economic Area (EEA)

The use of 2.4GHz RLAN's, for use through the EEA, have the following restrictions:

- Maximum radiated transmit power of 100 mW EIRP in the frequency range 2.400 -2.4835 GHz
- France, equipment is restricted to 2.4465 -2.4835 GHz frequency range
- Belgium outside usage, the equipment is restricted to 2.460 -2.4835 GHz frequency range
- Italy requires a user license for outside usage.
- The use of 5GHz RLAN's has varying restrictions for use within the EEA; please refer to the Symbol Declaration of Conformity (DoC) for details at <http://www2.symbol.com/doc/>

### **Statement of Compliance**

Symbol Technologies, Inc., hereby, declares that this device is in compliance with the essential requirements and other relevant provisions of Directive 1999/5/EC. A Declaration of Conformity may be obtained from <http://www2.symbol.com/doc/>

### **Other Countries**

- Mexico - Restrict Frequency Range to: 2.450 - 2.4835 GHz.
- Israel - Restrict Frequency Range to: 2.418 - 2.457 GHz.
- Sri Lanka- Restrict Frequency Range to: 2.400 - 2.430 GHz.

M K 1 1 0 0 M i c r o K i o s k

QRG

# Q u i c k R e f e r e n c e

## Warranty

**(A) Warranty** Symbol Technologies (hereafter "Seller") hardware Products are warranted against defects in workmanship and materials for a period of twelve (12) months from the date of shipment, unless otherwise provided by Seller in writing, provided the Product remains unmodified and is operated under normal and proper conditions. Warranty provisions and durations on software, integrated installed systems, Product modified or designed to meet specific customer specifications ("Custom Products"), remanufactured products, and reconditioned or upgraded products, shall be as provided in the applicable Product specification in effect at the time of purchase or in the accompanying software license.

**(B) Spare Parts** Spare parts (i.e. parts, components, or subassemblies sold by Seller for use in the service and maintenance of Products) are warranted against defects in workmanship and materials for a period of thirty (30) days from the date of shipment. Spare parts may be new or originate from returned units under the conditions set forth in subsection D below.

**(C) Repair of Symbol-branded hardware** For repairs on Symbol-branded hardware Products under this Agreement, including repairs covered by warranty, the repair services provided are warranted against defects in workmanship and materials on the repaired component of the Product for a period of thirty (30) days from the shipment date of the repaired Product, or until the end of the original warranty period, whichever is longer.

**(D) Product Service** Products may be serviced or manufactured with parts, components, or subassemblies that originate from returned products and that have been tested as meeting applicable specifications for equivalent new material and Products. The sole obligation of Seller for defective hardware Products is limited to repair or replacement (at Seller's option) on a "return to service depot" basis with prior Seller authorization. Customer is responsible for shipment to the Seller and assumes all costs and risks associated with this transportation; return shipment to the Customer will be at Seller's expense. Customer shall be responsible for return shipment charges for product returned where Seller determines there is no defect ("No Defect Found"), or for product returned that Seller determines is not eligible for warranty repair. No charge will be made to Buyer for replacement parts for warranty repairs. Seller is not responsible for any damage to or loss of any software programs, data or removable data storage media, or the restoration or reinstallation of any software programs or data other than the software, if any, installed by Seller during manufacture of the Product.

**(E) Original Warranty Period** Except for the warranty applying solely to the repaired component arising from a repair service as provided in Section C above, the aforementioned provisions do not extend the original warranty period of any Product that had either been repaired or replaced by Seller.

**(F) Warranty Provisions** The above warranty provisions shall not apply to any Product (i) which has been repaired, tampered with, altered or modified, except by Seller's authorized service personnel; (ii) in which the defects or damage to the Product result from normal wear and tear, misuse, negligence, improper storage, water or other liquids, battery leakage, use of parts or accessories not approved or supplied by Symbol, or failure to perform operator handling and scheduled maintenance instructions supplied by Seller; (iii) which has been subjected to unusual physical or electrical stress, abuse, or accident, or forces or exposure beyond normal use within the specified operational and environmental parameters set forth in the applicable Product specification; nor shall the above warranty provisions apply to any expendable or consumable items, such as batteries, supplied with the Product.

EXCEPT FOR THE WARRANTY OF TITLE AND THE EXPRESS WARRANTIES STATED ABOVE, SELLER DISCLAIMS ALL WARRANTIES ON PRODUCTS FURNISHED HEREUNDER INCLUDING ALL IMPLIED WARRANTIES OF MERCHANTABILITY AND FITNESS FOR A PARTICULAR USE. ANY IMPLIED WARRANTIES THAT MAY BE IMPOSED BY LAW ARE LIMITED IN DURATION TO THE LIMITED WARRANTY PERIOD. SOME STATES OR COUNTRIES DO NOT ALLOW A LIMITATION ON HOW LONG AN IMPLIED WARRANTY LASTS OR THE EXCLUSION OR LIMITATION OF INCIDENTAL OR CONSEQUENTIAL DAMAGES FOR CONSUMER PRODUCTS. IN SUCH STATES OR COUNTRIES, FOR SUCH PRODUCTS, SOME EXCLUSIONS OR LIMITATIONS OF THIS LIMITED WARRANTY MAY NOT APPLY.

The stated express warranties are in lieu of all obligations or liabilities on the part of Seller for damages, including but not limited to, special, indirect or consequential damages arising out of or in connection with the use or performance of the Product or service. Seller's liability for damages to Buyer or others resulting from the use of any Product or service furnished hereunder shall in no way exceed the purchase price of said Product or the fair market value of said service, except in instances of injury to persons or property.

## Service Information

Before you use the unit, it must be configured to operate in your facility's network and run your applications.

If you have a problem running your unit or using your equipment, contact your facility's Technical or Systems Support. If there is a problem with the equipment, they will contact the Symbol Support Center:

United States	1-800-653-5350 1-631-738-2400	Canada	905-629-7226
United Kingdom	0800 328 2424	Asia/Pacific	+65-6796-9600
Australia	1-800-672-906	Austria/Österreich	1-505-5794-0
Denmark/Danmark	7020-1718	Finland/Suomi	9 5407 580
France	01-40-96-52-21	Germany/Deutschland	6074-49020
Italy/Italia	2-484441	Mexico/México	5-520-1835
Netherlands/Nederland	315-271700	Norway/Norge	+47 2232 4375
South Africa	11-8095311	Spain/España	91 324 40 00 Inside Spain
Sweden/Sverige	84452900		+34 91 324 40 00 Outside Spain
Latin America Sales Support	1-800-347-0178 Inside US +1-954-255-2610 Outside US		
Europe/Mid-East Distributor Operations	Contact local distributor or call +44 118 945 7360		

For the latest version of this guide go to: <http://www.symbol.com/manuals>.



**72-67561-01**  
**Revision A — March 2004**